

## F2D-UFGUBC-200170-SERIES



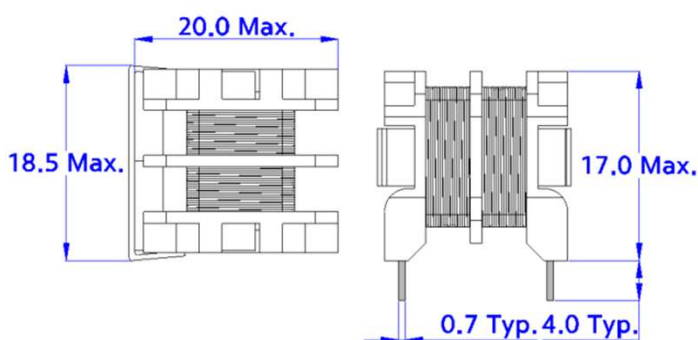
### Applications

- Noise suppression for motors : windshield wipers / power seats / power mirrors / heating and ventilation blower / HID lighting
- Engine and transmission control units
- DC/DC converters for entertainment/navigation systems
- LED drivers
- Battery power systems

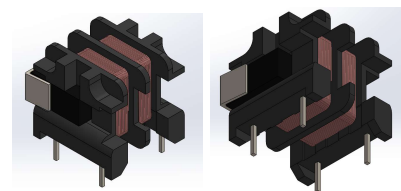
### Environmental data

- Operating temperature range : -40°C ~ +125°C(component)
- Storage conditions (packaged) : -25°C ~ +40°C, ≤75% RH
- Complies with AEC-Q200 standard

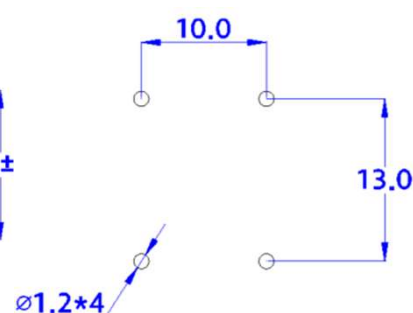
### Dimensions [Unit : mm]



### Picture



### Land Pattern [Unit : mm]



### Specifications

Part No.	Inductance(mH) [1kHz, 1V]	DCR(mΩ)	Rated Current(mA)
	MIN.	MAX.	TYP.
F2D-UFGUBC-200170-332A	3.3	410	650
F2D-UFGUBC-200170-682A	6.8	800	430
F2D-UFGUBC-200170-123A	12	1,170	340
F2D-UFGUBC-200170-223A	22	2,240	250
F2D-UFGUBC-200170-333A	33	4,100	200
F2D-UFGUBC-200170-513A	51	5,250	150

### Notes

- \* All test data is referenced to 25 °C ambient
- \* Rated Current : DC current (A) that will cause an approximate ΔT of 40 °C