



F2D-UFGUBC-185205-SERIES



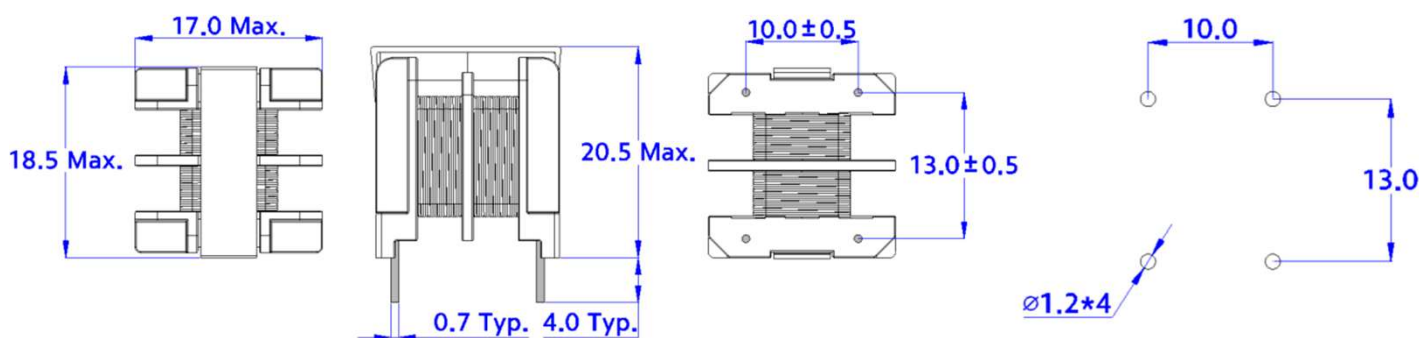
Applications

- Noise suppression for motors : windshield wipers / power seats / power mirrors / heating and ventilation blower / HID lighting
- Engine and transmission control units
- DC/DC converters for entertainment/navigation systems
- LED drivers
- Battery power systems

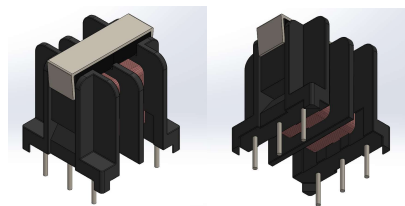
Environmental data

- Operating temperature range : -40°C ~ +125°C(component)
- Storage conditions (packaged) : -25°C ~ +40°C, ≤75% RH
- Complies with AEC-Q200 standard

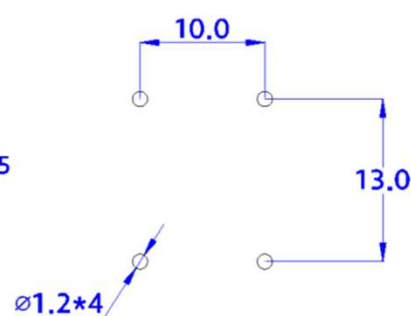
Dimensions [Unit : mm]



Picture



Land Pattern [Unit : mm]



Specifications

Part No.	Inductance(mH) [1kHz, 1V]	DCR(mΩ)	Rated Current(mA)
	MIN.	MAX.	TYP.
F2D-UFGUBC-185205-332A	3.3	410	650
F2D-UFGUBC-185205-682A	6.8	800	430
F2D-UFGUBC-185205-123A	12	1,170	340
F2D-UFGUBC-185205-223A	22	2,240	250
F2D-UFGUBC-185205-333A	33	4,100	200
F2D-UFGUBC-185205-513A	51	5,250	150

Notes

- * All test data is referenced to 25 °C ambient
- * Rated Current : DC current (A) that will cause an approximate ΔT of 40 °C