

F2D-UFGUBC-165165-SERIES



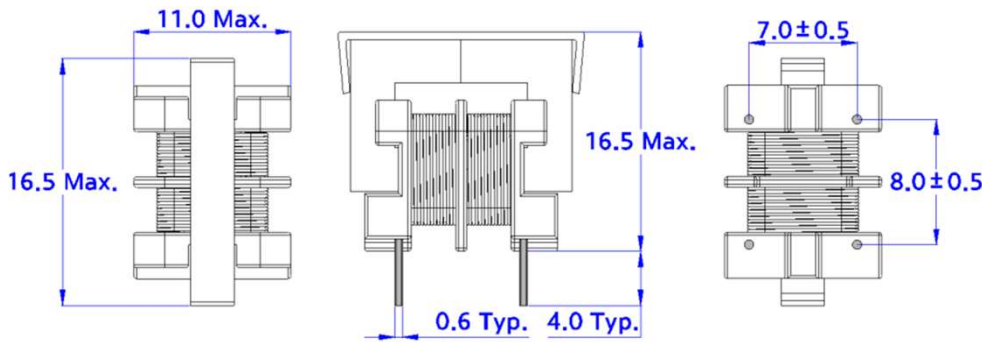
Applications

- Noise suppression for motors : windshield wipers / power seats / power mirrors / heating and ventilation blower / HID lighting
- Engine and transmission control units
- DC/DC converters for entertainment/navigation systems
- LED drivers
- Battery power systems

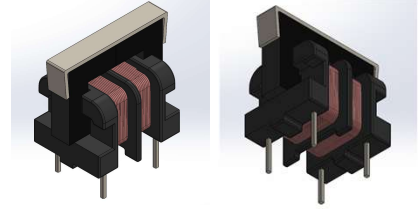
Environmental data

- Operating temperature range : -40°C ~ +125°C(component)
- Storage conditions (packaged) : -25°C ~ +40°C, ≤75% RH
- Complies with AEC-Q200 standard

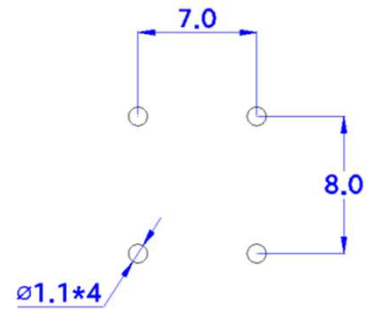
Dimensions [Unit : mm]



Picture



Land Pattern [Unit : mm]



Specifications

Part No.	Inductance(mH) [1kHz, 1V]	DCR(mΩ)	Rated Current(mA)
	MIN.	MAX.	TYP.
F2D-UFGUBC-165165-471A	0.47	65	1,000
F2D-UFGUBC-165165-681A	0.68	100	850
F2D-UFGUBC-165165-102A	1	125	700
F2D-UFGUBC-165165-222A	2.2	245	500
F2D-UFGUBC-165165-392A	3.9	450	380
F2D-UFGUBC-165165-472A	4.7	505	340
F2D-UFGUBC-165165-682A	6.8	845	250
F2D-UFGUBC-165165-103A	10	1,500	200
F2D-UFGUBC-165165-153A	15	1,900	160
F2D-UFGUBC-165165-203A	20	2,250	140
F2D-UFGUBC-165165-303A	30	2,950	110

Notes

- * All test data is referenced to 25 °C ambient
- * Rated Current : DC current (A) that will cause an approximate ΔT of 40 °C