

CF-SERIES



Applications

- Perfect for applications with varying cable diameter
- Suppression of electronic ballasts in the lighting industry
- Reusable thanks star-key technology, ideal for testing and measuring purposes in EMC laboratories

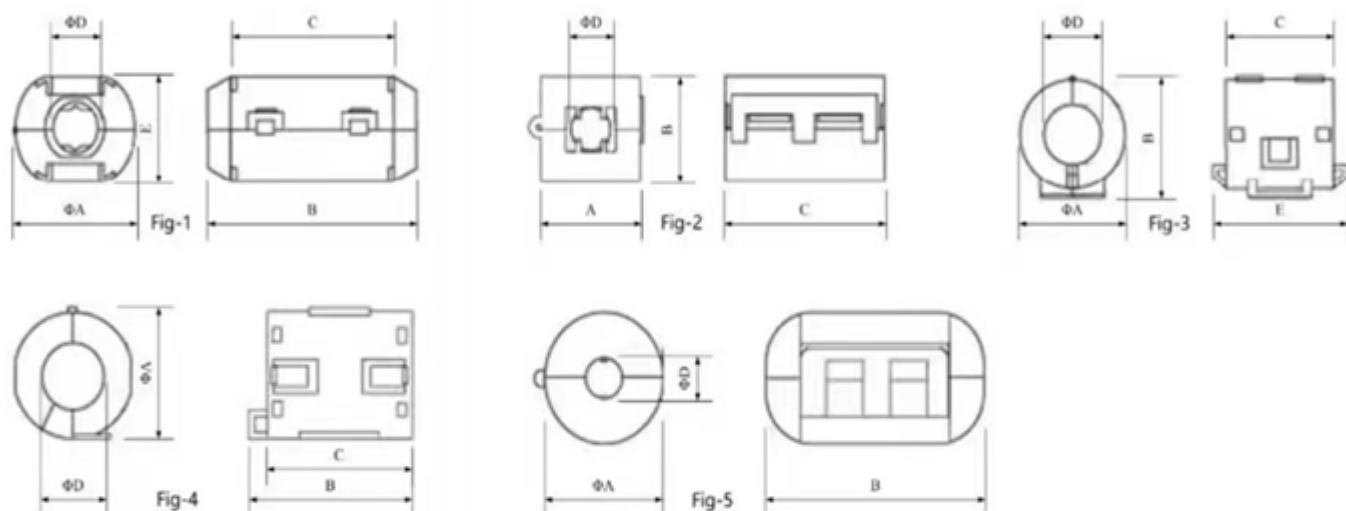
Picture



Environmental data

- Operating temperature range : -25°C ~ +105°C
- Storage conditions (packaged) : -25°C ~ +40°C, ≤75% RH

Dimensions [Unit : mm]



Specifications

P-N	Fig	Dimensions(mm)					Shape	Impedance(Ω) MIN.	
		ØA	B	C	ØD	E		25MHz	100MHz
CFNC13-5-25.5	1	13.0±1.0	25.5±1.0	20.0±1.0	5.0±0.8	11.5±1.0	Circle	65	130
CFNC16-5-29.5	5	16.0±1.0	29.5±1.0	-	5.0±0.8	-	Circle	55	150
CFNS17.5-6.5-32.5	2	17.5±1.0	19.5±1.0	32.5±1.0	6.5±0.8	-	Square	100	260
CFNC15.5-7-18	4	15.5±1.0	22.0±1.0	18.0±1.0	7.0±0.8	-	Circle	50	115
CFNC16.5-7-30	1	16.5±1.0	30.0±1.0	23.0±1.0	7.0±0.8	15.0±1.0	Circle	70	130
CFNC19.5-9-35	1	19.5±1.0	35.0±1.0	28.0±1.0	9.0±0.8	18.0±1.0	Circle	80	135
CFNS22-10-33	2	22.0±1.0	23.5±1.0	33.0±1.0	10.0±0.8	-	Square	70	170
CFNC20.5-11-32	4	20.5±1.0	36.0±1.0	32.0±1.0	11.0±0.8	-	Circle	55	110
CFNS29-13-32	2	29.0±1.0	30.0±1.0	32.0±1.0	13.0±0.8	-	Square	110	240
CFNC30-13-34	4	30.0±1.0	38.5±1.0	34.0±1.0	13.0±0.8	-	Circle	90	150
CFNC23.5-13-36	1	23.5±1.0	36.0±1.0	30.0±1.0	13.0±0.8	22.2±1.0	Circle	40	70
CFNC19.5-8-17	3	19.5±1.0	22.5±1.0	17.0±1.0	8.0±0.8	23.0±1.0	Circle	45	90
CFNC29-15-15	3	29.0±1.0	33.0±1.0	15.0±1.0	14.0±0.8	21.0±1.0	Circle	30	70
CFMC17-6.15-36	5	17.0±1.0	36.0±1.0	-	6.15±0.8	-	Circle	142	235
CFMC20-6.6-39.5	5	20.0±1.0	39.5±1.0	-	6.6±0.8	-	Circle	151	260
CFMC23.5-9.5-39.5	5	23.5±1.0	39.5±1.0	-	9.5±0.8	-	Circle	121	202
CFMC32.5-12.95-39.5	5	32.5±1.0	39.5±1.0	-	12.95±0.8	-	Circle	132	220

Notes

- * All test data is referenced to 25 °C ambient
- * Test conditions : Ø0.65 copper wire 1Ts